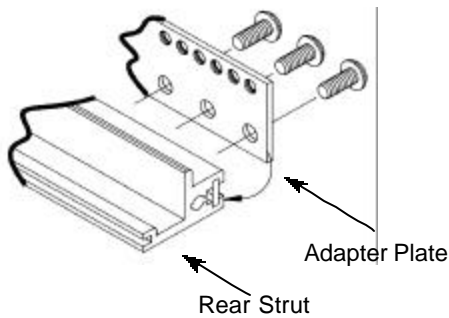


## Adapter Strips

For mounting DIN connectors on subrack with 84 tapped holes (2.5mm x 4.5 mm pitch)

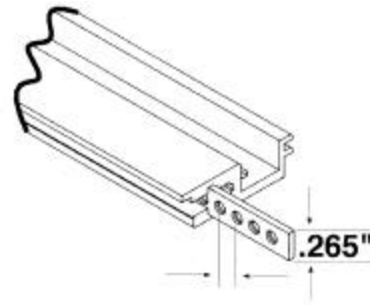


AS1/2 Includes:

5700201	DIN Adapter Plate	2
88000056	Screws 2.5mm x .45 X 8	12
W3-1#	Washer, #3 Spring Lock	12

## Nut Strips

Threaded mounting holes spaced at 0.2" centers slide into strut grooves, can be used to anchor panels, cards, or other components. Use on front or rear struts for any Vector DIN Based subrack.



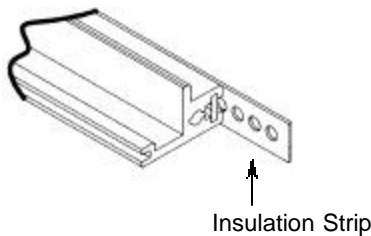
1 HP  
0.2" (5.08mm)

Part No.	HP	Width
5700202	84	17.00" (431.8mm)
5250268-63	63	12.8" (325.1mm)
5250268-42	42	8.6" (218.4mm)
5250268-21	21	4.4" (111.8mm)

Any width/length available on request

## Insulation Strips

Mounted between backplane and metal strut.



Part No.	HP	Width
5210208	84	17.00" (431.8mm)

Any width/length available on request